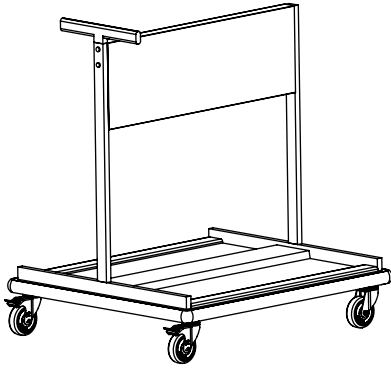


TROLLEY FOR SQUARE WOOD TOPS - SINGLE ASSEMBLY INSTRUCTIONS

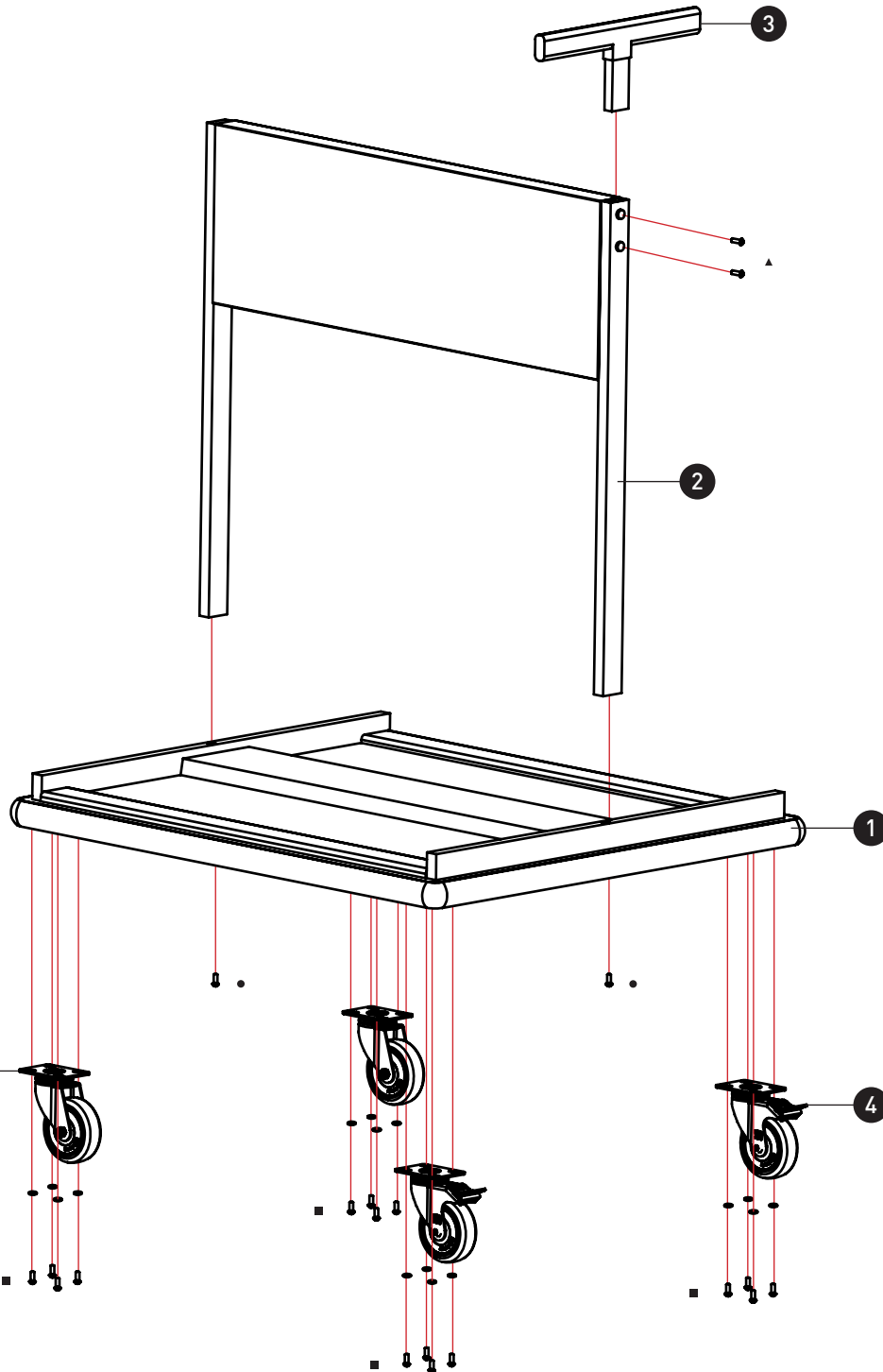


COMPONENTS

- ❶ 1 X BASE
- ❷ 1 X DIVIDER
- ❸ 1 X HANDLE
- ❹ 2 X SWIVEL BRAKING CASTORS
- ❺ 2 X SWIVEL NON BRAKING CASTORS
- ❻ 16 X SCREWS / 16 X WASHERS ■
- ❼ 2 X M8 BOLTS ▲
- ❽ 2 X M10 BOLTS ●

Dimensions: (816 x 916 x 1043mm)
Global Tolerances +/- 1mm

Product Code: CB_BTTWT16



Craster creates innovative luxury product ranges for premium Hotel, Retail and Restaurant groups. We bring together exceptional design and manufacturing talent and offer a complete product development solution from the inception of the idea to delivery of the product.

All Designs and Images are the sole property of Craster, Ltd.

Tel: +44 (0)203 004 4750
Fax: +44 (0)845 467 0052
Email: info@craster.com
Web: www.craster.com

craster
Luxury Products for Hotel and Restaurant Projects