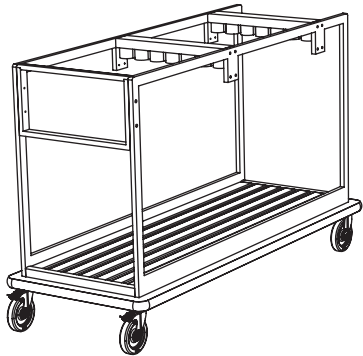


TROLLEY FOR RECTANGULAR GLASS TOPS - SINGLE ASSEMBLY INSTRUCTIONS



INSTRUCTIONS

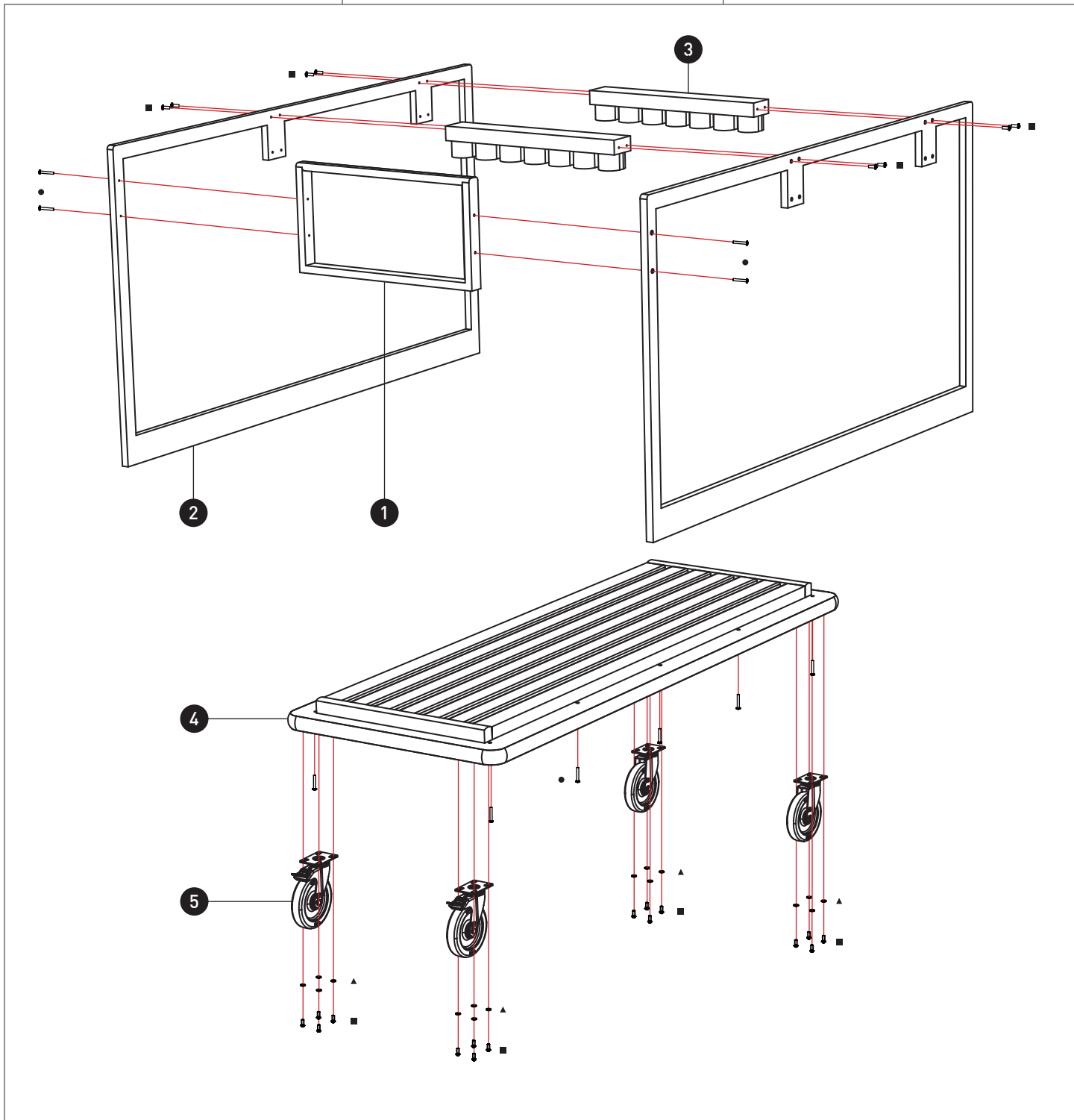
- 1 ATTACH HANDLE TO LEFT FRAME AND RIGHT FRAME
- 2 ATTACH COMB DIVIDERS - TOP 2 SCREWS FOR 800 SERIES TOPS - BOTTOM 2 SCREWS FOR 700 SERIES TOPS
- 3 TURN UPSIDE DOWN AND ATTACH BASE
- 4 ATTACH CASTERS TO BASE

COMPONENTS

- 1 1 X HANDLE
- 2 2 X FRAME
- 3 2 X COMB DIVIDER
- 4 1 X BASE
- 5 4 X CASTERS
- 6 24 X SCREWS ■
- 7 16 X WASHERS ▲
- 8 14 X BOLTS ●

Dimensions: (703 x 1793 x 1080mm)
Global Tolerances +/- 1mm

Product Code: CB_BTTGTR6



Craster creates innovative luxury product ranges for premium Hotel, Retail and Restaurant groups. We bring together exceptional design and manufacturing talent and offer a complete product development solution from the inception of the idea to delivery of the product.

All Designs and Images are the sole property of Craster, Ltd.

Tel: +44 (0)203 004 4750
 Fax: +44 (0)845 467 0052
 Email: info@craster.com
 Web: www.craster.com

craster
 Luxury Products for Hotel and Restaurant Projects