

## FLOW STAND FOUR TIER 1.1 ASSEMBLY INSTRUCTIONS

### COMPONENTS

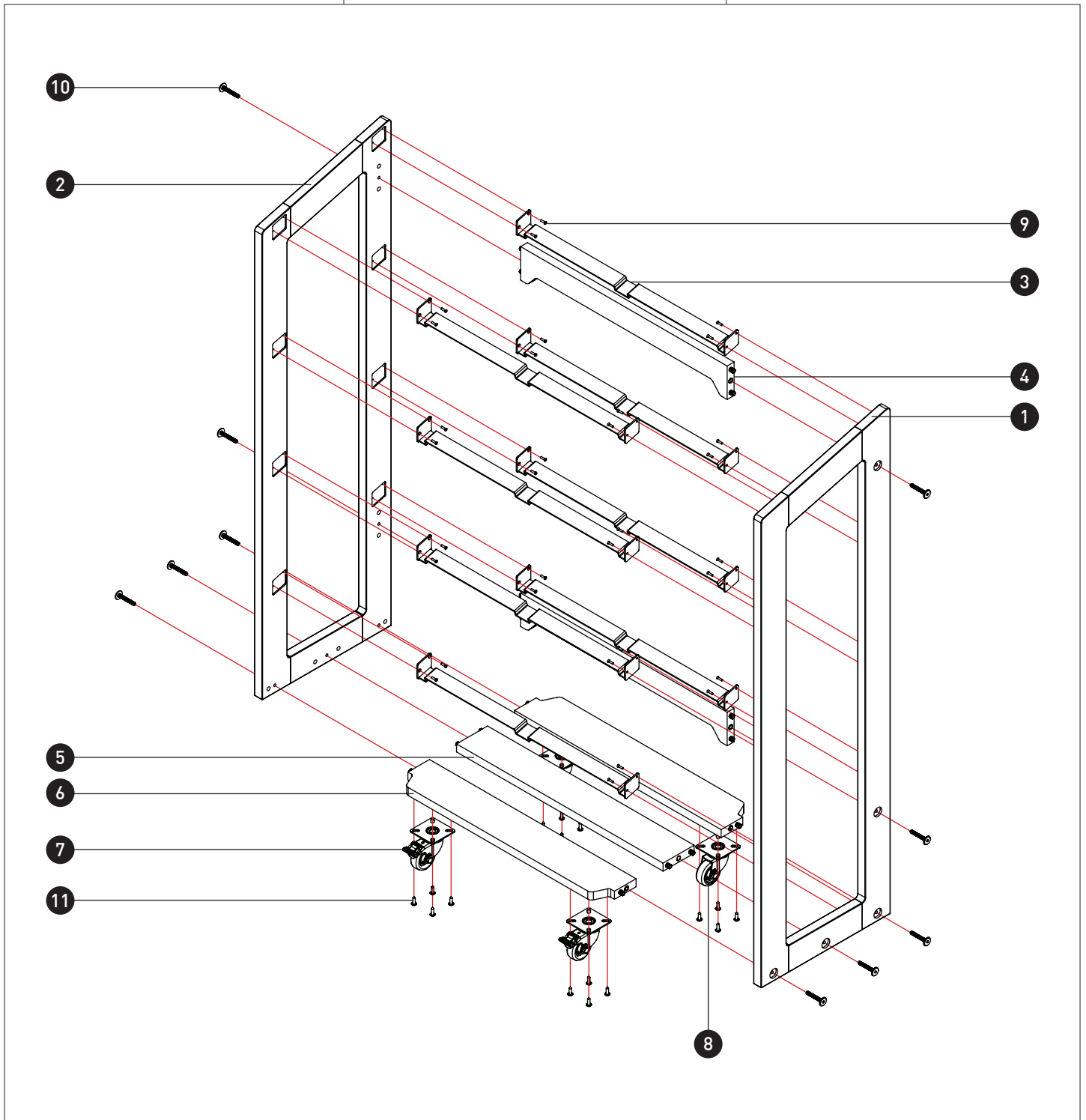
- |                           |                                    |
|---------------------------|------------------------------------|
| ① 1 X LEFT FRAME          | ⑦ 32 X SCREWS 3X15MM               |
| ② 1 X RIGHT FRAME         | ⑩ 10 X CONNECTOR BOLT 6X40MM       |
| ③ 8 X MIDDLE SUPPORT      | ⑪ 16 X BUTTON HEAD SCREWS 4.5X16MM |
| ④ 2 X CROSS BEAM          |                                    |
| ⑤ 2 X OUTER BASE          |                                    |
| ⑥ 1 X INNER BASE          |                                    |
| ⑦ 2 X CASTORS WITH BRAKES |                                    |
| ⑧ 2 X CASTORS             |                                    |

### ADDITIONAL TOOLS

- ① 1 X PHILLIPS SCREWDRIVER
- ② 1 X ALLEN KEY

Dimensions: (574 x 400 x 1197mm)  
Global Tolerances +/- 1mm

Product Code: BU\_RS003



Craster creates innovative luxury product ranges for premium Hotel, Retail and Restaurant groups. We bring together exceptional design and manufacturing talent and offer a complete product development solution from the inception of the idea to delivery of the product.

All Designs and Images are the sole property of Craster, Ltd.

Tel: +44 (0)203 004 4750  
Fax: +44 (0)845 467 0052  
Email: info@craster.com  
Web: www.craster.com

craster  
Luxury Products for Hotel and Restaurant Projects