

## FLOW TROUGH TALL ASSEMBLY INSTRUCTIONS

### COMPONENTS

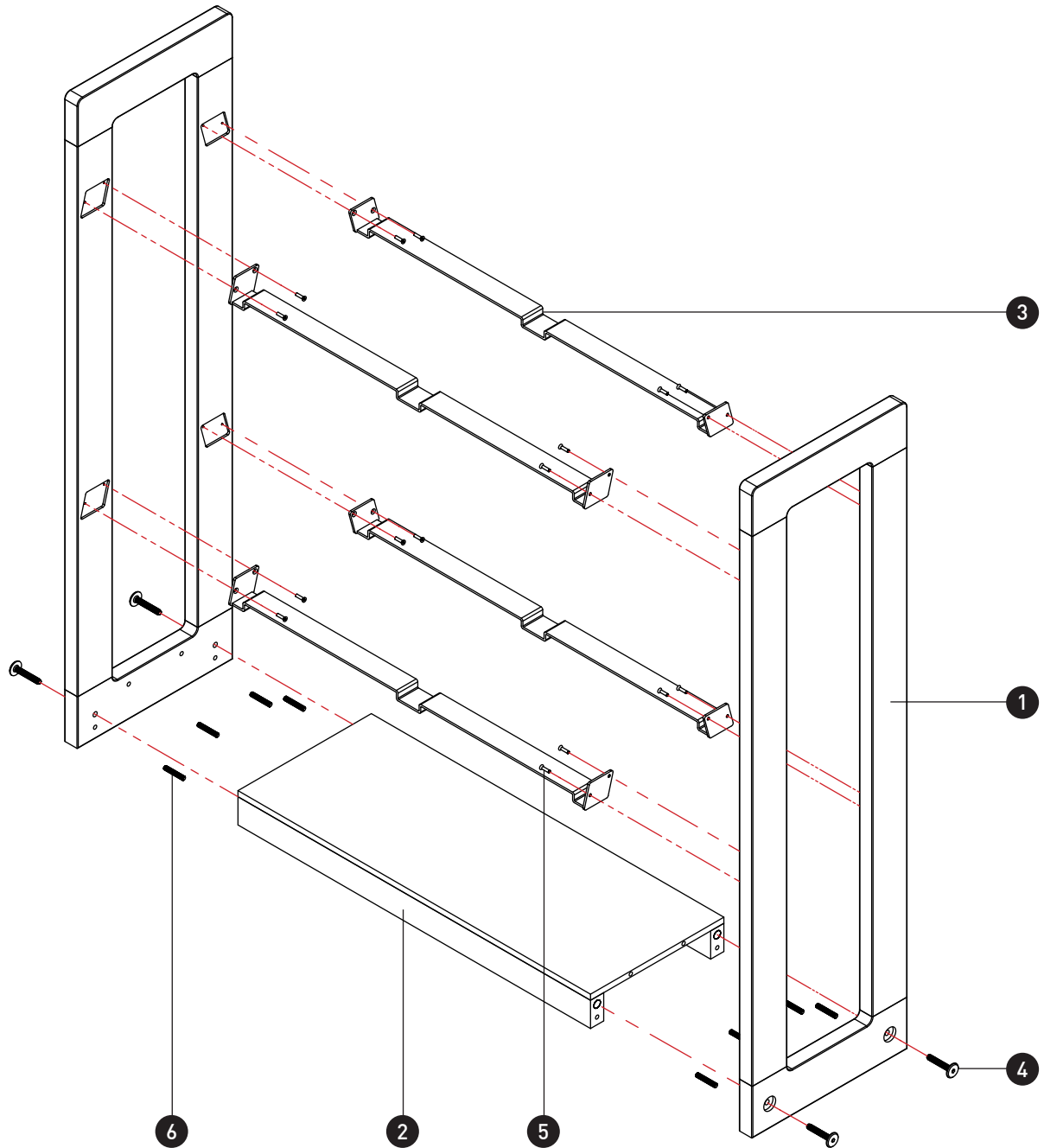
- ❶ 2X FRAME
- ❷ 1X BASE
- ❸ 4X MIDDLE SUPPORT
- ❹ 4 X BOLT 6X35MM
- ❺ 16 X SCREWS
- ❻ 8 X 8X30MM DOWEL

### ADDITIONAL TOOLS

- ❶ 1 X PHILLIPS SCREWDRIVER
- ❷ 1 X ALLEN KEY

Dimensions: (574 x 250 x 857mm)  
Global Tolerances +/- 1mm

Product Code: BU\_RS005



Craster creates innovative luxury product ranges for premium Hotel, Retail and Restaurant groups. We bring together exceptional design and manufacturing talent and offer a complete product development solution from the inception of the idea to delivery of the product.

All Designs and Images are the sole property of Craster, Ltd.

Tel: +44 (0)203 004 4750  
Fax: +44 (0)845 467 0052  
Email: info@craster.com  
Web: www.craster.com

craster  
Luxury Products for Hotel and Restaurant Projects